

Take Control.
ION
StormPro.



SH40i

Sewage Pump

- Septic tank effluent
- High capacity sump
- Commercial sewage
- Residential sewage



37 Forestwood Dr., Romeoville, IL 60446 www.ionproducts.net [815] 886-9200

Patent No. 8,591,198

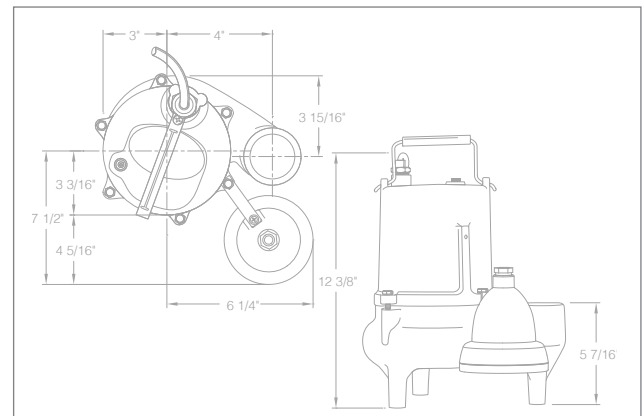
SH40i

Sewage Pump

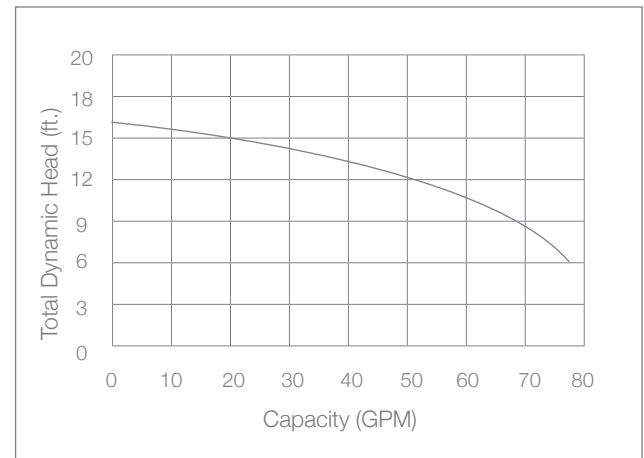
System Specifications

Typical Applications	<ul style="list-style-type: none"> • Septic tank effluent • High capacity sump • Commercial sewage • Residential sewage
Maximum Capacity	Up to 78 GPM
Maximum Head	Up to 16'
Electrical Data	115 V, 1 Ø, 12.6 FLA, 60 Hz
Motor Data	¼ HP, 1550 RPM
Intermittent Liquid Temperature	120° F
Recommended Minimum Basin Size	18" x 30"
Automatic Operation	i: Ion Digital Level Control (standard)
Manual Operation	M: Manual
Materials of Construction	Cast iron
Impeller	Thermoplastic vortex
Power Cord	10' Standard (20' optional)
Discharge	2" NPT
Solids Handling	2"

Pump Dimensions



Pump Performance



Features

- Carbon ceramic mechanical seal
- Automatic reset thermal overload for maximum protection
- Lower single-row ball-bearing construction
- Piggy back Ion® digital level control switch has no moving parts (standard)
- 3 year warranty