

Take Control.
ION
StormPro.



X-ONEi+

Submersible All In One Pump With Built-In High Water Alarm

- Basement Sump
- Septic Tank Effluent
- Sewage Ejector



37 Forestwood Dr., Romeoville, IL 60446 www.ionproducts.net [815] 886-9200

Patent No. 8,591,198

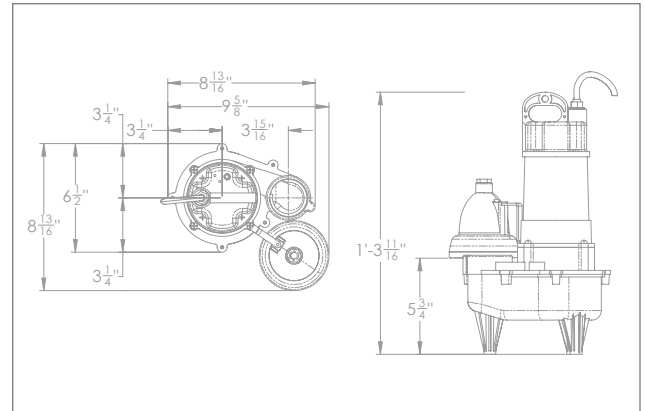
X-ONEi+

Submersible All In One Pump With Built-In High Water Alarm

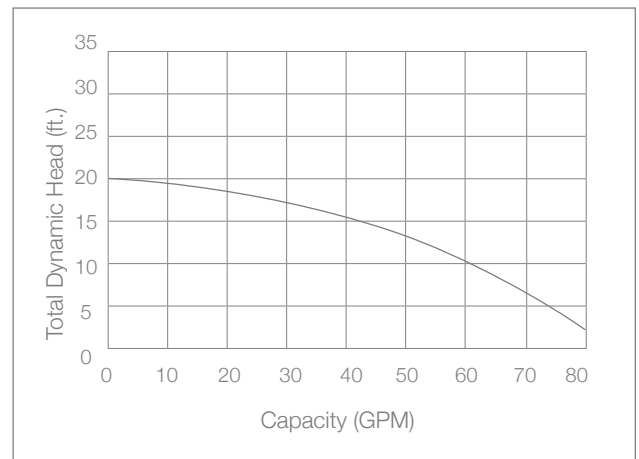
System Specifications

Typical Applications	<ul style="list-style-type: none">• Basement sump• Sewage Ejector• Septic tank effluent
Maximum Capacity	Up to 80 GPM
Maximum Head	Up to 20'
Electrical Data	115 V, 1 ϕ , 8.2 FLA, 60 Hz
Motor Data	1/2 HP, 3450 RPM
Intermittent Liquid Temperature	120° F
Recommended Minimum Basin Size	18" x 24"
Automatic Operation	i+: Ion+ (standard)
Materials of Construction	Cast iron & engineered thermoplastic
Power Cord	10' Standard
Discharge	2" with 1 1/2" reducer
Solids	1 1/2" to 2"

Pump Dimensions



Pump Performance



Features

- Carbon ceramic mechanical seal
- Oil-filled high efficiency PSC motor that uses half the AC power of most 1/2 HP pumps
- Upper and lower single-row ball-bearing construction
- Piggyback Ion+® digital level control switch with alarm has no moving parts (standard)
- 3 year warranty