

Take Control.
ION
Technologies



WC33i

Sump Pump

- Basement Sump
- Septic Tank Effluent
- Dewatering



37 Forestwood Dr., Romeoville, IL 60446 www.ionproducts.net [815] 886-9200

Patent No. 8,591,198

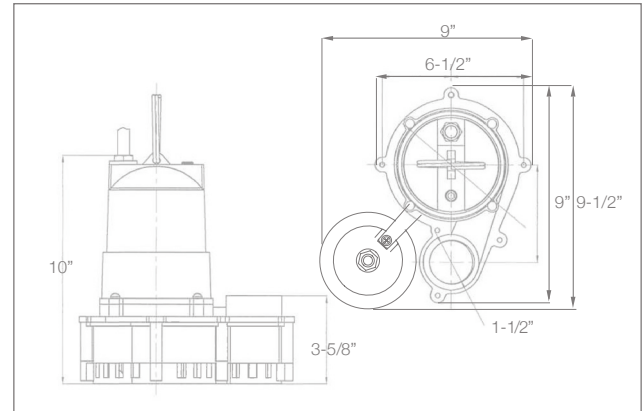
WC33i

Sump Pump

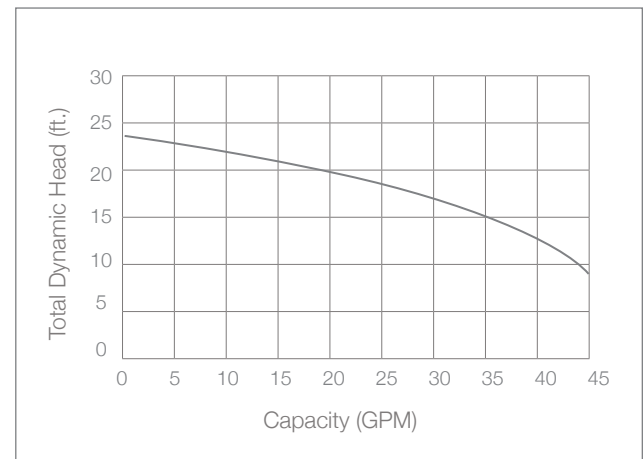
System Specifications

Typical Applications	<ul style="list-style-type: none">• Basement sump• Dewatering• Septic tank effluent
Maximum Capacity	Up to 45 GPM
Maximum Head	Up to 24'
Electrical Data	115 V, 1 Ø, 4 FLA, 60 Hz
Motor Data	1/3 HP, 3450 RPM
Recommended Minimum Basin Size	18" x 24"
Automatic Operation	i: Ion Digital Level Control (standard) V: Vertical
Manual Operation	M: Manual
Materials of Construction	Cast iron & engineered thermoplastic
Power Cord	10' Standard
Discharge	1 1/2" NPT
Solids	1/2"

Pump Dimensions



Pump Performance



Features

- Carbon ceramic mechanical seal
- Oil-filled high efficiency PSC motor that uses half the AC power of most 1/3 HP pumps
- Piggyback Ion® digital level control switch has no moving parts (standard)
- Size allows 2 pumps in 18" basin
- 3 year warranty