

Take Control.
ION
StormPro®



WC33i+

Sump Pump With Built-In High Water Alarm

- Basement Sump
- Septic Tank Effluent
- Dewatering



37 Forestwood Dr., Romeoville, IL 60446 www.ionproducts.net [815] 886-9200

Patent No. 8,591,198

WC33i+

Sump Pump With Built-In High Water Alarm

System Specifications

- Typical Applications
- Basement sump
 - Dewatering
 - Septic tank effluent

Maximum Capacity Up to 45 GPM

Maximum Head Up to 24'

Electrical Data 115 V, 1 ϕ , 4 FLA, 60 Hz

Motor Data 1/2 HP, 3450 RPM

Recommended Minimum Basin Size 18" x 24"

Automatic Operation i+: Ion+ (standard)

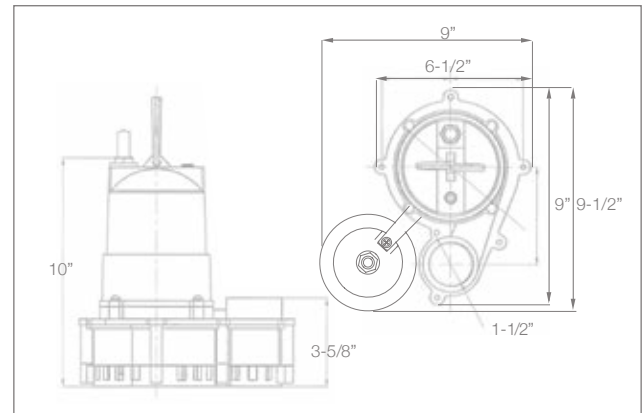
Materials of Construction Cast iron & engineered thermoplastic

Power Cord 10' Standard

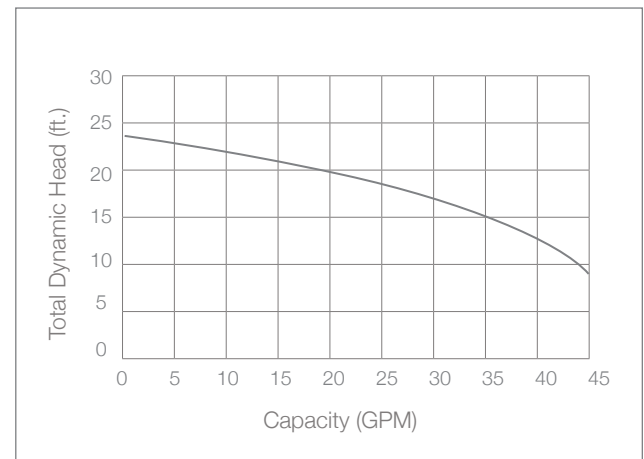
Discharge 1 1/2" NPT

Solids 1/2"

Pump Dimensions



Pump Performance



Features

- Carbon ceramic mechanical seal
- Oil-filled high efficiency PSC motor that uses half the AC power of most 1/2 HP pumps
- Piggyback Ion+[®] digital level control switch with alarm has no moving parts (standard)
- 3 year warranty