

Take Control.
ION
StormPro®



SHV100

Sewage Pump

- Light commercial sewage
- Residential sewage
- High-capacity sump
- Septic tank effluent



37 Forestwood Dr., Romeoville, IL 60446 www.ionproducts.net [815] 886-9200

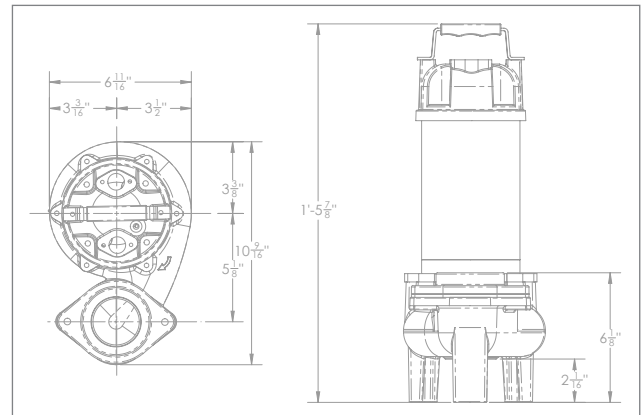
SHV100

Sewage Pump

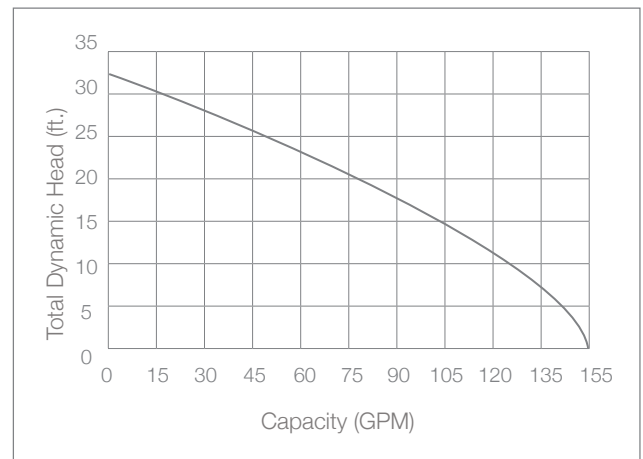
System Specifications

Typical Applications	<ul style="list-style-type: none">• Light commercial sewage• Residential sewage• High-capacity sump• Septic tank effluent
Maximum Capacity	Up to 155 GPM
Maximum Head	Up to 32'
Electrical Data	115 V, 1 Ø, 14 FLA, 60 Hz 208-230 V, 1 Ø, 7.7-7 FLA, 60 Hz
Motor Data	1 HP, 3450 RPM
Intermittent Liquid Temperature	130° F
Recommended Minimum Basin Size	18" x 30"
Manual Operation	M: Manual (Standard)
Automatic Operation	i: Ion Digital Level Control (115 Volt Only) W: Wide Angle Switch (115 Volt or 230 Volt)
Materials of Construction	Cast iron and stainless steel
Impeller	Cast iron vortex
Power Cord	20' Standard
Discharge	2" NPT, optional 3"
Solids Handling	2"

Pump Dimensions



Pump Performance



Features

- Carbon ceramic mechanical seal
- Automatic reset thermal overload for maximum protection
- Lower single-row ball-bearing construction
- 3 year warranty