

Take Control.
ION
Technologies

A division of Metropolitan Industries, Inc.



EXP50

1 YEAR
WARRANTY



Explosion Proof Pump

- Service stations
- Car/truck washes
- Military bases
- Truck docks



37 Forestwood Dr., Romeoville, IL 60446
www.ionproducts.net [815] 886-9200

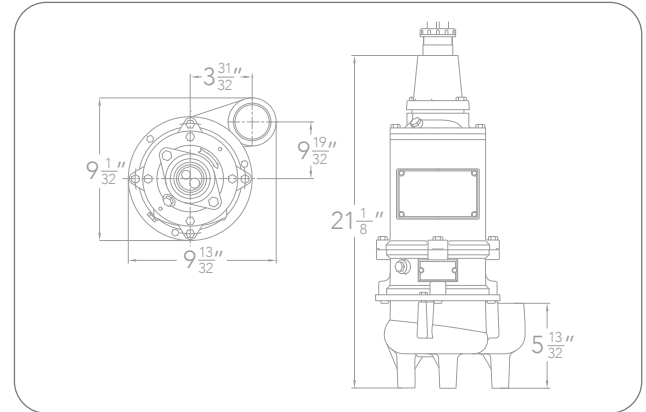
EXP50

Explosion Proof Pump

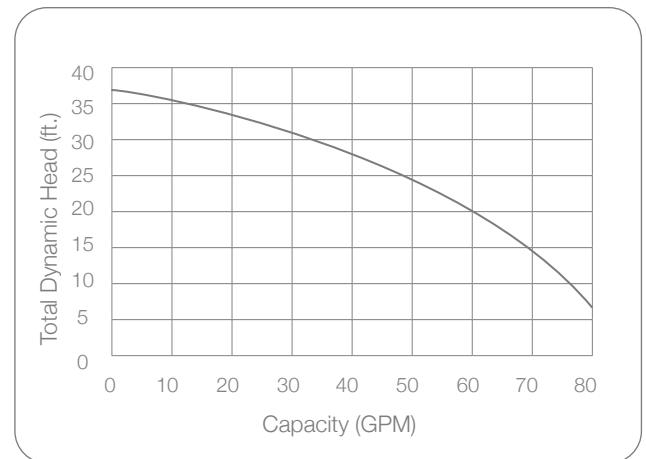
System Specifications

Typical Applications	<ul style="list-style-type: none">• Service stations• Car/truck washes• Military bases• Truck decks
Maximum Capacity	Up to 80 GPM
Maximum Head	Up to 36'
Electrical Data	<ul style="list-style-type: none">• 230 V, 1 Ø, 4.9 FLA, 60 Hz• 230 V, 3 Ø, 3.2 FLA, 60 Hz• 460 V, 3 Ø, 1.6 FLA, 60 Hz
Motor Data	½ HP, 1750 RPM
Intermittent Liquid Temperature	140° F
Recommended Minimum Basin Size	24" x 30"
Operation	Control Panel Required
Materials of Construction	Cast iron
Impeller	Cast iron
Power Cord	15' Standard
Discharge	1½" NPT
Solids Handling	¾"

Pump Dimensions



Pump Performance



Pump Features

- Oil filled motor
- Upper & lower bearings
- Single row ball bearing construction
- Dual carbon/ceramic Type 21 mechanical shaft seal
- 1 year warranty
- NEMA 4X enclosure with inner door

Control Panel Features

- Separate pump and control circuit breaker
- Intrinsically safe module for floats
- H-O-A switch
- Run, seal leak, and alarm light
- Motor starter and capacitor
- UL 913