

Take Control.  
**ION**  
*Technologies*



# ES50-100

## Effluent Pump

- Septic tank effluent
- Dewatering
- High head sump



37 Forestwood Dr., Romeoville, IL 60446 [www.ionproducts.net](http://www.ionproducts.net) [815] 886-9200

## System Specifications

Typical Applications	• Septic tank effluent
	• Dewatering
	• High head sump

Maximum Capacity	
• ES50	Up to 108 GPM
• ES100	Up to 135 GPM

Maximum Head	
• ES50	Up to 53'
• ES100	Up to 82'

Electrical Data	
• ES50M-1	115 V, 1 Ø, 12 FLA, 60 Hz
• ES50M-21	230 V, 1 Ø, 6 FLA, 60 Hz
• ES50M-03	208 V, 3 Ø, 3.5 FLA, 60 Hz
• ES50M-23	230 V, 3 Ø, 3.2 FLA, 60 Hz
• ES50M-43	460 V, 3 Ø, 1.6 FLA, 60 Hz
• ES100M-21	230 V, 1 Ø, 12 FLA, 60 Hz
• ES100M-03	208 V, 3 Ø, 6.6 FLA, 60 Hz
• ES100M-23	230 V, 3 Ø, 6.0 FLA, 60 Hz
• ES100M-43	460 V, 3 Ø, 3.0 FLA, 60 Hz

Motor Data	½-1 HP, 3450 RPM
------------	------------------

Intermittent Liquid Temperature	104° F
---------------------------------	--------

Recommended Minimum Basin Size	18" x 30"
--------------------------------	-----------

Automatic Operation	i: Ion Digital Level Control (standard) W: Wide angle float M: Manual
Manual Operation	

Materials of Construction	Cast iron
---------------------------	-----------

Impeller	Cast iron 2 vane closed
----------	-------------------------

Power Cord	
ES50/100 1Ø	16/3C-20'
ES50/100 3Ø	16/4C-20'

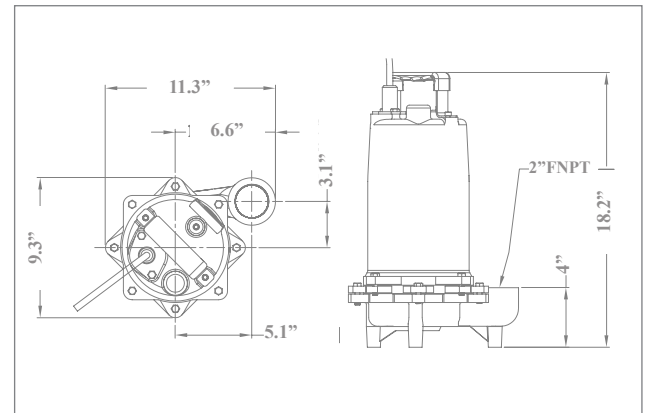
Discharge	2" NPT
-----------	--------

Solids Handling	¾"
-----------------	----

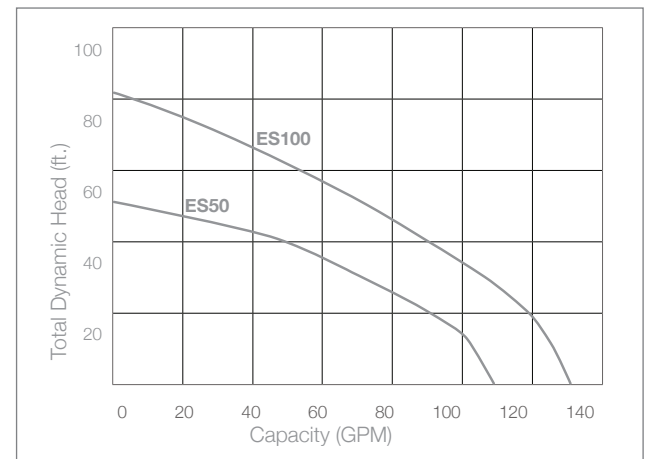
# ES50-100

## Effluent Pump

### Pump Dimensions



### Pump Performance



## Features

- Carbon ceramic mechanical seal
- Automatic reset thermal overload for maximum protection
- Lower single-row ball-bearing construction
- 3 year warranty