

Take Control.
ION
Technologies

A division of Metropolitan Industries, Inc.



ES45

Effluent Pump

- Septic tank effluent
- Dewatering
- High head sump

3 YEAR
RESIDENTIAL
WARRANTY



37 Forestwood Dr., Romeoville, IL 60446
www.ionproducts.net [815] 886-9200

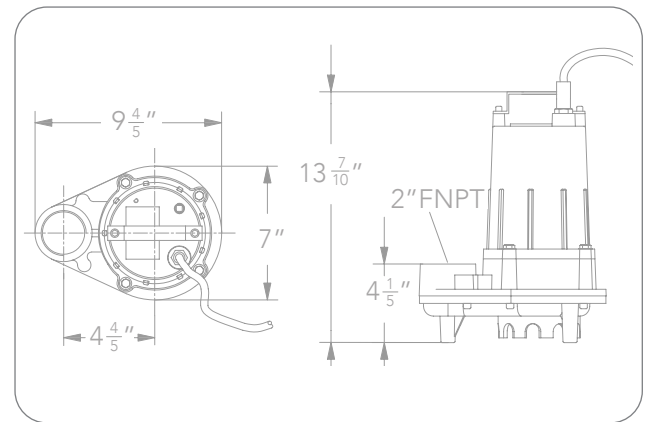
ES45

Effluent Pump

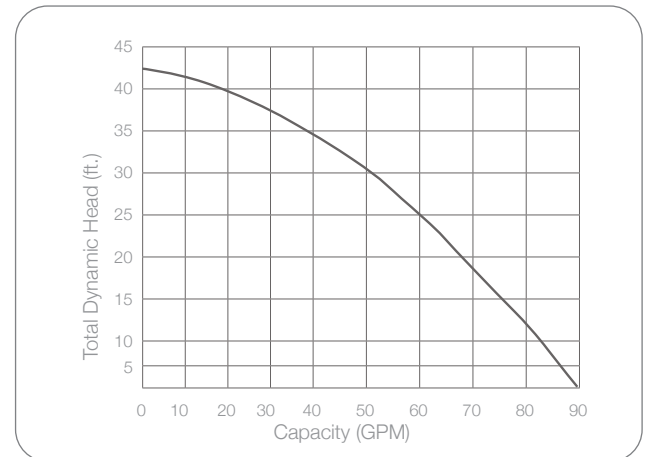
System Specifications

Typical Applications	<ul style="list-style-type: none"> • Septic tank effluent • Dewatering • High head sump
Maximum Capacity	Up to 90 GPM
Maximum Head	Up to 42'
Electrical Data	<ul style="list-style-type: none"> • ES45M1 115 V, 1 Ø, 11 FLA, 60 Hz • ES45M21 230 V, 1 Ø, 5.5 FLA, 60 Hz
Motor Data	½ HP, 3450 RPM
Intermittent Liquid Temperature	104° F
Recommended Minimum Basin Size	18" x 30"
Automatic Operation	i: Ion Digital Level Control (standard) W: Wide angle float M: Manual
Manual Operation	
Materials of Construction	Cast iron
Impeller	Cast iron vortex
Power Cord	SJTW 16/3C-20'
Discharge	2" NPT
Solids Handling	¾"

Pump Dimensions



Pump Performance



Features

- Carbon ceramic mechanical seal
- Automatic reset thermal overload for maximum protection
- Lower single-row ball-bearing construction
- Ion® digital level control piggyback switch has no moving parts (standard)
- 3 year residential warranty