

Take Control.
ION
StormPro.



BA50i

Sump Pump

- Basement Sump
- Dewatering



37 Forestwood Dr., Romeoville, IL 60446 www.ionproducts.net [815] 886-9200

Patent No. 8,591,198

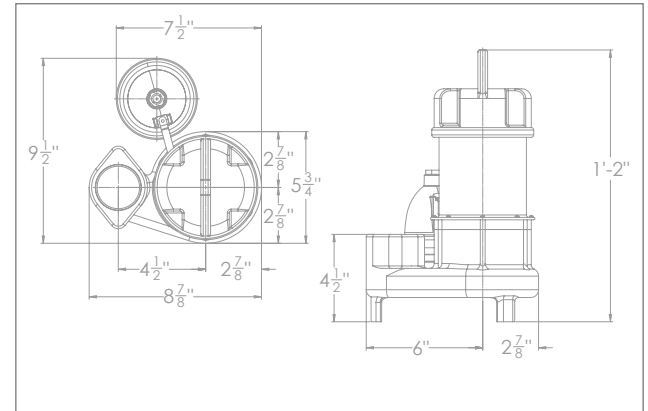
BA50i

Sump Pump

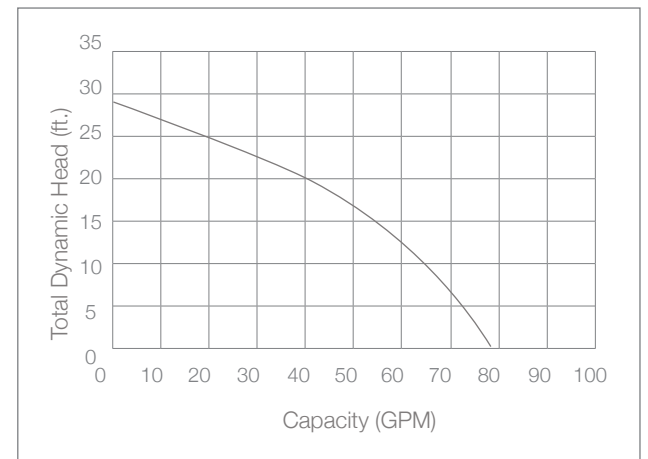
System Specifications

Typical Applications	<ul style="list-style-type: none">• Basement sump• Dewatering
Maximum Capacity	Up to 78 GPM
Maximum Head	Up to 29'
Electrical Data	115 V, 1 \emptyset , 5.8 FLA, 60 Hz
Motor Data	1/2 HP, 3450 RPM
Recommended Minimum Basin Size	18" x 24"
Automatic Operation	i: Ion Digital Level Control (standard) SPI: Vertical float
Manual Operation	M: Manual
Materials of Construction	Cast iron & stainless steel
Impeller	Cast iron vortex
Power Cord	10' Standard (20' optional)
Discharge Size	2" NPT
Solids Handling	1/2"

Pump Dimensions



Pump Performance



Features

- Energy efficient motor
- Carbon ceramic mechanical seal
- Thermal overload protection
- Piggy back Ion® digital level control switch has no moving parts (standard)
- Stainless steel screen prevents debris from entering the pump
- 3 year warranty