

Take Control.  
**ION**  
*Technologies*

A division of Metropolitan Industries, Inc.



# Ion<sup>®</sup>

## Digital Level Control Switch

- Rated for use in both sump and sewage pump applications
- Will work with any 115 volt pump up to 15 amps
- Solid state sensing technology with no moving parts to wear or fail
- Designed to operate for over 2 million cycles
- Longer pumping differential means it will pump more water less frequently
- 10 and 20 foot cord options are available

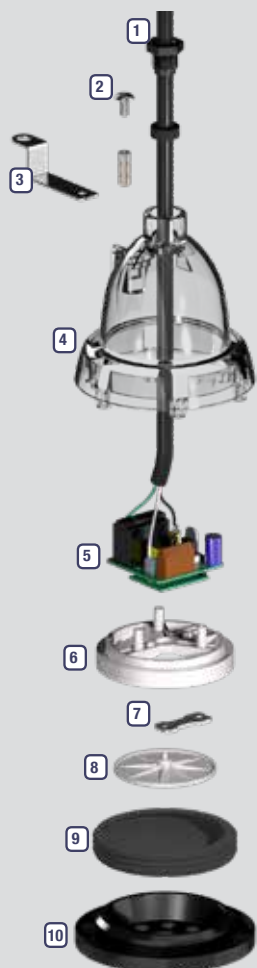


37 Forestwood Dr., Romeoville, IL 60446 [www.ionproducts.net](http://www.ionproducts.net) [815] 886-9200

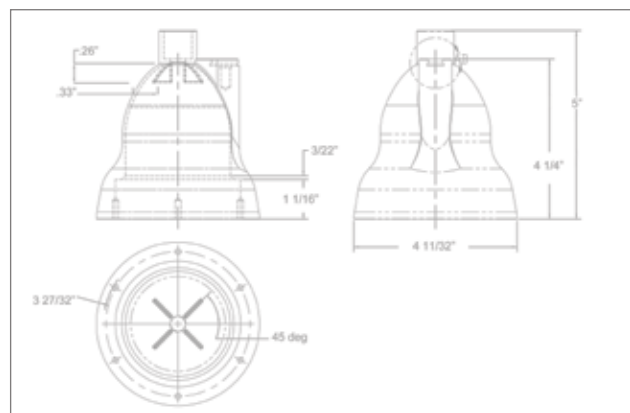
Patent No. 8,591,198

### Assembly View

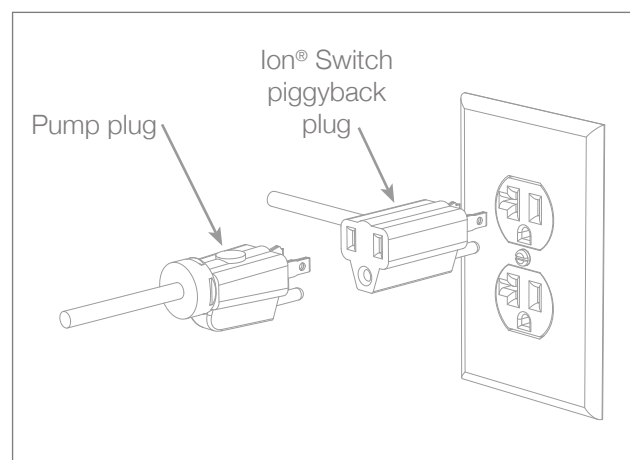
1. Cord strain relief follower
2. Mounting arm screw
3. Switch mounting arm
4. Top housing
5. Control and logic boards
6. Switch bracket
7. Strain gauge
8. Pressure plate
9. Diaphragm with integrated o-ring gasket
10. Diaphragm guard



### Switch Dimensions



### Piggyback Plug Illustration



### System Specifications

- Type of Application: Sump and sewage
- Voltage: 115 volt
- Amp Rating: 13 FLA, 15 amp max
- Power Cord: 10' or 20'
- Pump Range: 6" or 8.5"
- 3 year warranty