

Take Control.
ION
Technologies

A division of Metropolitan Industries, Inc.



Ion® Endeavor BA33

3 YEAR
WARRANTY



All parts included to install a smart controller with sensors & pump

- First of a kind 115 volt standard plug in receptacle, dual pump run and alternating controller for residential and commercial applications
- Ion® sensors communicate with controller to provide controller based turn on level adjustment from 2.5" to 72" for optimal pump operation
- Track critical information through the panel based display, including switch failure, pump amp draw, water level and more



37 Forestwood Dr., Romeoville, IL 60446
www.ionproducts.net [815] 886-9200

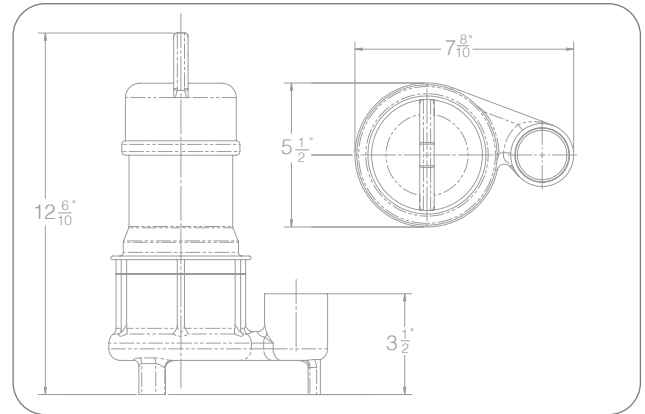
Patents Pending, Patent No. 8,591,198

Ion® Endeavor BA33

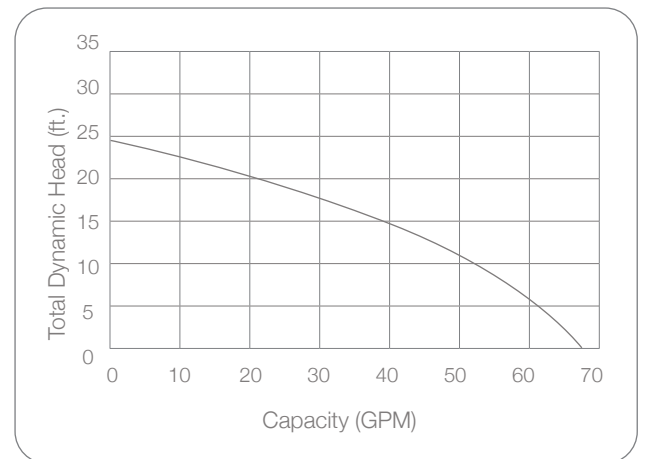
System Specifications

Typical Applications	<ul style="list-style-type: none">• Basement sump• Dewatering
Maximum Capacity	Up to 68 GPM
Maximum Head	Up to 25'
Electrical Data	115 V, 1 Ø, 4.5 FLA, 60 Hz
Motor Data	1/3 HP, 3450 RPM
Recommended Minimum Basin Size	18" x 24"
Manual Operation	M: Manual
Materials of Construction	Cast iron & stainless steel
Impeller	Thermoplastic vortex
Power Cord	10' Standard
Discharge Size	1½" NPT
Solids Handling	½"

BA33 Sump Pump Dimensions



BA33 Sump Pump Performance



Features

- Energy efficient motor
- Carbon ceramic mechanical seal
- Thermal overload protection
- Ion® digital level control sensor has no moving parts (standard)
- Stainless steel screen prevents debris from entering the pump
- 3 year warranty