

Take Control.
ION
Technologies

A division of Metropolitan Industries, Inc.



MPPII

Power Pac System

- (2) 1/3 HP pumps with PSC motor
- Recommended minimum basin size: 18 x 24"
- Includes Ion Genesis® controller, 1 1/2" check valve and 1 1/2" Sch. 40 PVC piping
- Every cycle alternates to the other pump
- Low amp draw pumps 4 amps
- Each pump rated up to 2700 GPH
- Factory built; easy and quick to install
- Built-in alarm system
- 3 year warranty



37 Forestwood Dr., Romeoville, IL 60446 www.ionproducts.net [815] 886-9200

System Specifications

- Typical Applications
- Basement sump
 - Dewatering
 - Septic tank effluent

Maximum Capacity Up to 45 GPM

Maximum Head Up to 24'

Electrical Data 115 V, 1 Ø, 4 FLA, 60 Hz

Motor Data 1/3 HP, 3450 RPM

Recommended Minimum Basin Size 18" x 24"

Manual Operation M: Manual

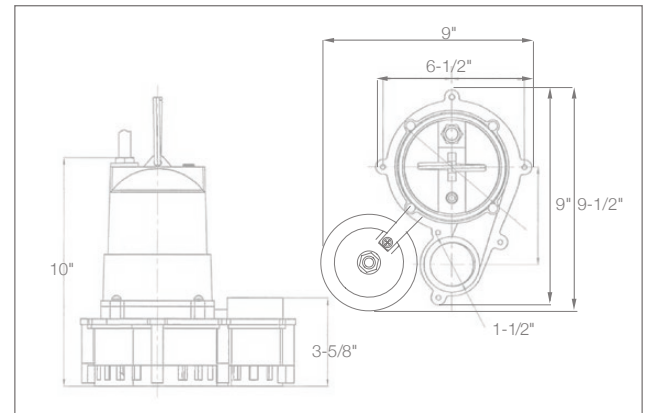
Materials of Construction Cast iron & engineered thermoplastic

Power Cord 10' Standard

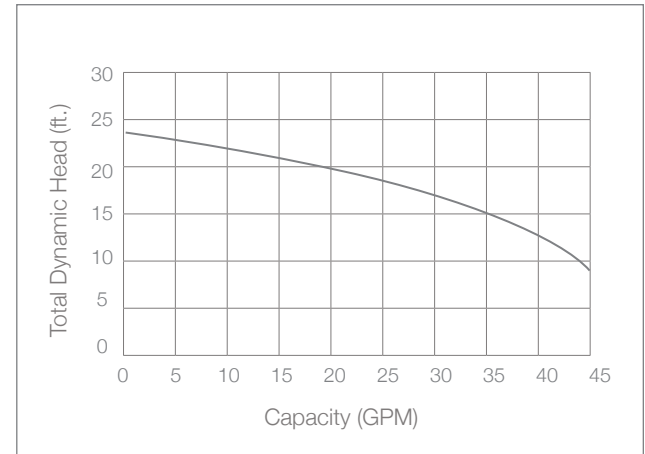
Discharge 1 1/2" NPT

Solids 1/2"

WC33 Sump Pump Dimensions



WC33 Sump Pump Performance



Features

- Carbon ceramic mechanical seal
- Oil-filled high efficiency PSC motor that uses half the AC power of most 1/3 HP pumps
- Ion® digital level control sensors have no moving parts (standard)
- 3 year warranty