



# Power+

## Maintenance Free AGM Battery

Power+ maintenance free batteries are revolutionizing the way we power our backup systems. Simply connect a battery or batteries to your backup system without having to perform monthly maintenance. The Power+ battery is completely sealed and spill-proof with no risk of exposure to hazardous chemicals. It is safe for standard shipping anywhere in the U.S.



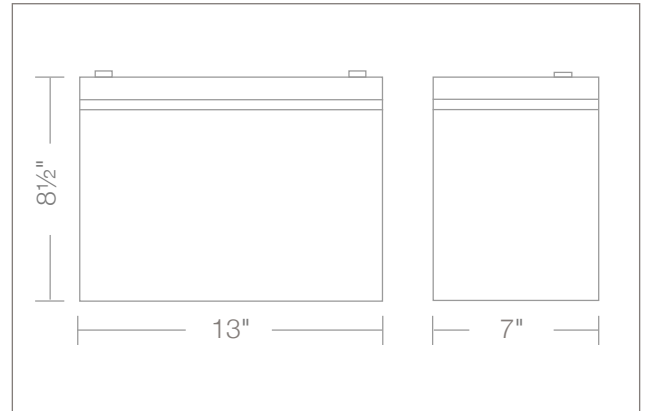
# Power+

Maintenance Free AGM Battery

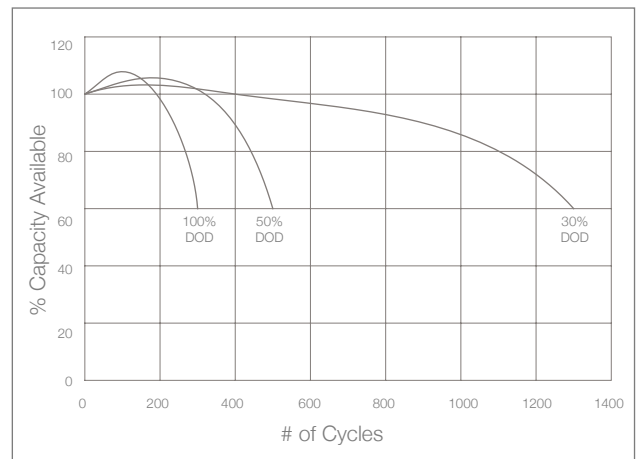
## System Specifications

|                 |                        |
|-----------------|------------------------|
| Item Number     | P20397                 |
| Nominal Voltage | 12 Volt                |
| 20 Hr Rate Ah   | 120 Ah                 |
| Model           | 31P-36                 |
| Size L x W x H  | 13" X 7" X 8½"         |
| Weight          | 70 lbs                 |
| Terminal        | Type B threaded copper |
| Bolt Size       | M6 bolt                |

## Dimensions



## Power+ Performance



## Features

- Maintenance free
- Lasts twice as long as typical batteries
- Completely sealed and spill-proof with no exposure to hazardous chemicals
- Safe for standard shipping in the USA
- Works with virtually all types of backup systems
- Performs up to 35% better than standard deep cycle batteries
- 3 year warranty