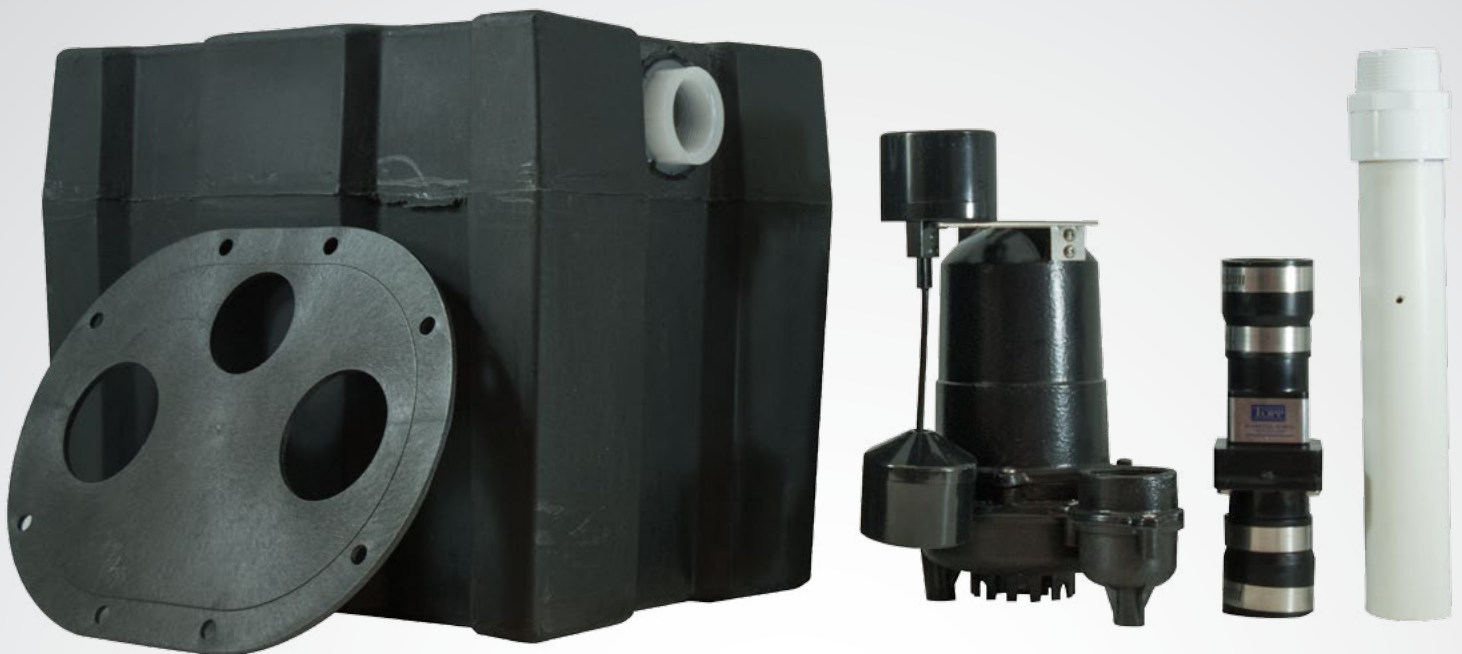


Take Control.
ION
Packages



Under Sink Basin Package

All parts included to install an under sink sump system

Ordering PN: MPK20293

1. WC33V With Vertical Switch
2. 1½" Check Valve
3. 1½" x 12" Sch. 40 PVC Discharge Pipe
4. Poly Water Box With Cover



WC33V

Sump Pump

System Specifications

- Typical Applications
- Basement sump
 - Dewatering
 - Septic tank effluent

Maximum Capacity Up to 45 GPM

Maximum Head Up to 24'

Electrical Data 115 V, 1 \emptyset , 4 FLA, 60 Hz

Motor Data $\frac{1}{3}$ HP, 3450 RPM

Automatic Operation V: Vertical switch

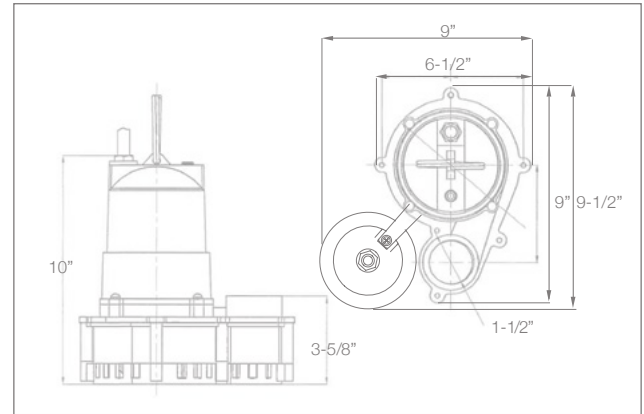
Materials of Construction Cast iron & engineered thermoplastic

Power Cord 10' Standard

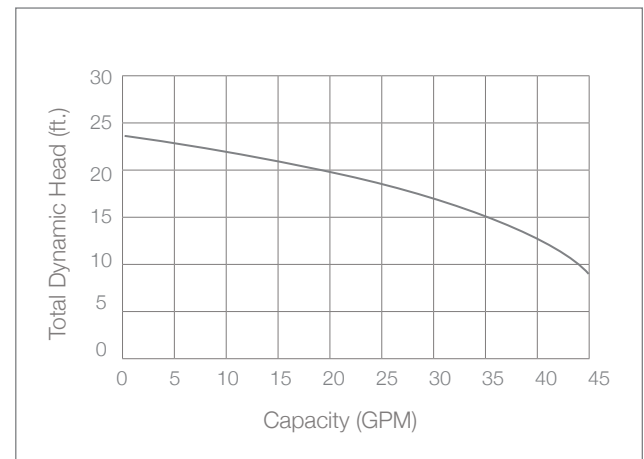
Discharge 1 $\frac{1}{2}$ " NPT

Solids $\frac{1}{2}$ "

Pump Dimensions



Pump Performance



Features

- Carbon ceramic mechanical seal
- Oil-filled high efficiency PSC motor that uses half the AC power of most $\frac{1}{3}$ HP pumps
- 3 year warranty