

Take Control.
ION
Packages



Triple Poly Basin System 18" X 39"

Ordering PNs:

North Side Vents: TB1839TN

South Side Vents: TB1839TS

Designed to help garage areas and other facilities handle volatile wastes that they generate. Separates volatile wastes as they pass through the system of baffles and rise to the surface (meeting IL code). Includes three black epoxy-coated solid steel covers, cast iron inlet and discharge.

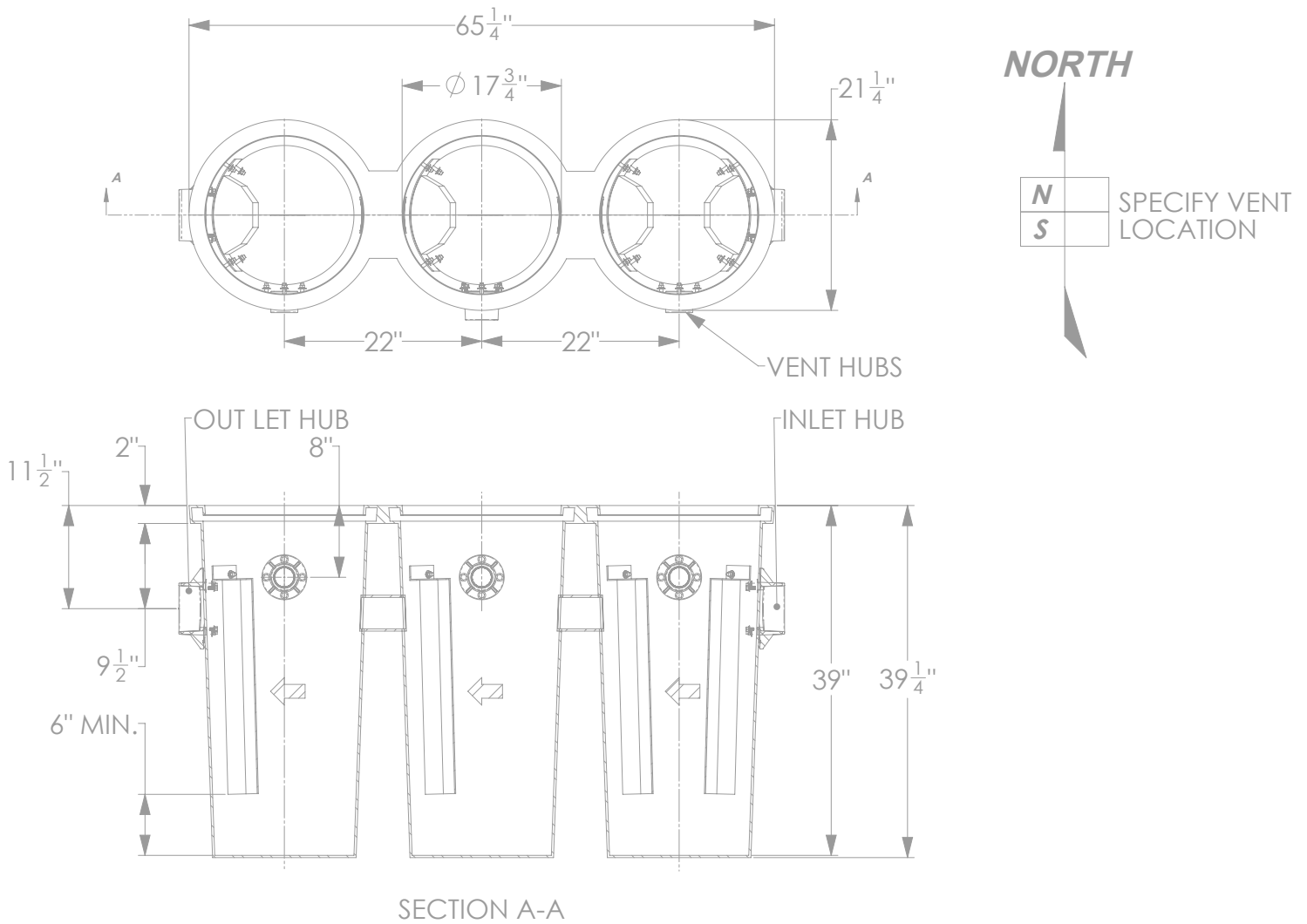
Larger sizes available in fiberglass. Please contact your Salesperson for more information.



37 Forestwood Dr., Romeoville, IL 60446 www.ionproducts.net [815] 886-9200

Triple Poly Basin System

18" X 39"



Features

- System of baffles
- Meets IL code
- Black epoxy-coated solid steel covers
- Cast iron inlet and discharge
- Larger sizes available in fiberglass
- 3 year warranty